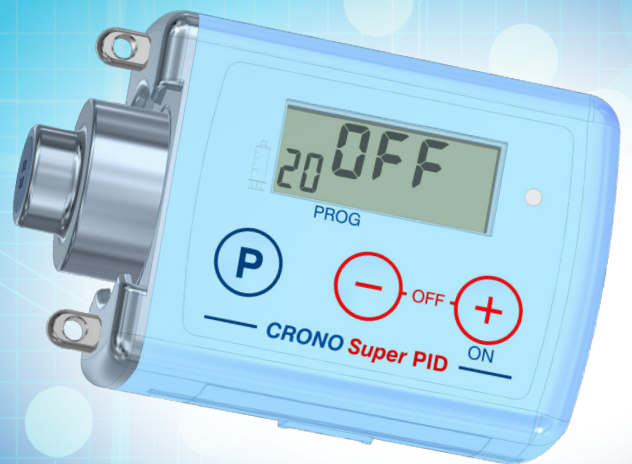


CRONO Super PID

REF: PS3LL



Ambulatory infusion pump

INTENDED PURPOSE

CRONO Super PID is an ambulatory pump for subcutaneous infusions of immunoglobulins.

PUMP DESCRIPTION

CRONO Super PID is a medical device.

CRONO Super PID is an union of high technology and innovative design. Its compact size and light weight make it ideal for home use.

CRONO Super PID uses 10 and 20 ml dedicated reservoirs.

The pump's main feature is its delivery time programming mode.

The pump is equipped with a settings lock to prevent incorrect or unauthorised administration.

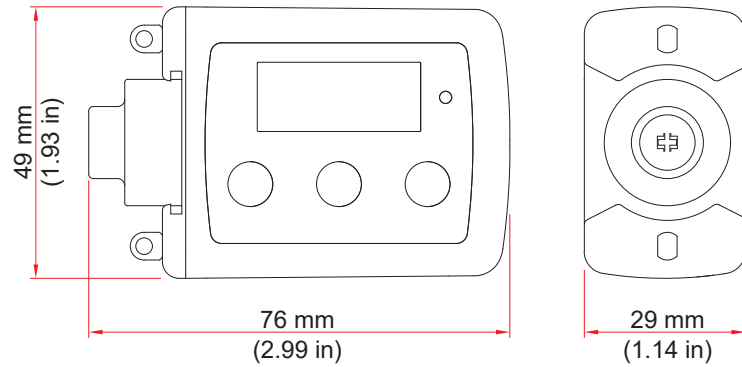
The pusher mechanism, which operates directly on the rubber piston of the reservoir, enables the pump to combine high delivery pressure with excellent precision while administering the drugs.

In the event of occlusion of the delivery set an innovative infusion control system enables the infusion to automatically continue when the occlusion is removed.

CRONO Super PID is provided with a liquid crystal display (LCD) which shows practical information to the doctor and patient about the settings, operations and diagnostics of the pump.

TECHNICAL FEATURES

Pump dimensions



Pump weight	115 g (4.06 oz.), including battery
Battery	Lithium CR123A 3V (battery life about 90 infusions)
Single-use reservoir	Dedicated with a 10 and 20 ml capacity and a Luer-Lock universal security attachment
Administration volumes	Programmable, from 1 to 10 ml in increments of 1 ml (10 ml reservoir) Programmable, from 1 to 20 ml in increments of 1 ml (20 ml reservoir)
Delivery time	Programmable: <ul style="list-style-type: none"> • from 15 min to 1 h in increments of 5 min (10 ml reservoir) • from 30 min to 1 h in increments of 5 min (20 ml reservoir) • from 1 h to 99 h in increments of 15 min (both reservoirs)
Prime function	Only available at the start of the infusion. The maximum deliverable volume is 1.5 ml
Shot volume	22 µl (minimum quantity administered at each motor rotation)
Flow rate precision	+/- 2 %
Occlusion pressure	6.0 bar +/- 2
Post-occlusion bolus	About 1.2 ml
Settings memory	All settings are automatically stored in a flash memory which is retained even if the device is left without a battery
Display	Liquid crystal display (LCD) (dimensions 11 x 28 mm; 0.43 x 1.1 in)
Motor	Coreless DC motor, the rotation of which is controlled by an infrared system
Settings lock	Two configurable levels
Electronic circuit with twin microcontrollers	Ensures a more reliable and safer infusion system
Safety circuits	These check that the device is functioning correctly, intervening in the event of any anomaly with sounds and messages on the display
Ingress protection rating	IP 42
Buzzer sound pressure level	53 dBA +/- 5 dBA
Warranty	2 years from the date of purchase against any material or manufacturing defects
Standard equipment	CRONO Super PID ambulatory pump, Carry-case, Elastic belt, Fabric case, Collar strap, 2 Batteries (1 of which in the pump), Battery-cover opening tool, Instructions for use
Environmental conditions for use	+5°C / +40°C 15% / 90% RH (non-condensing, water vapour partial pressure max 50 hPa) 700 hPa / 1060 hPa
Environmental conditions for storage and transport	-25°C / +70°C 15% / 90% RH

